

## SAVE VTR 100/B

puldi kaabel 6m

Toote number: 488809

Variant: Pleated Filters Standard kit



Filter kits:

153715 PF STD kit (F7/ePM1 60% supply and M5/ePM10 50% extract)

153716 PF OPT kit 1 (accessory) (F8/ePM1 70% supply and M5/ePM10 50% extract)

153717 BF OPT kit 2 (accessory) (F7/ePM1 60% supply and M5/ePM10 60% extract)

**Main features:**

- High energy-efficiency rotary heat exchanger with EC technology fans
- Demand control regulation with the built-in humidity sensor
- Moisture transfer function to minimize condensation in supply air during wintertime
- Multiple control options to choose from
- Connection board for easy access and connection of accessories
- Modbus communication RS-485 as standard
- Eurovent Certification

SAVE VTR 100/B is adapted for ventilation of smaller houses and apartments with an area of 100 m<sup>2</sup>. The unit can be installed in a kitchen cupboard or between cupboards and then covered with a custom furniture panel. Vertical and horizontal install positions are possible.

A duct from the cooker hood can be connected to a separate bypass duct on the

unit, so that air from the cooker hood is led straight to the exhaust fan and not through the heat exchanger in the unit. Systemair offers several cooker hoods for a direct insertion into SAVE VTR100/B and easy wiring to the connection box. The unit has a Cooker Hood function which can be activated via a cooker hood.

SAVE VTR 100/B has double-skinned fully insulated panels. The unit is equipped with a high efficiency variable speed rotating heat exchanger and a moisture transfer function that regulates the rotation speed of the rotor. Energy efficient fans with EC motors as well as low-pressure filters reduce the energy consumptions and ensures low SFP factor (Specific Fan Power) and sound level. The built-in humidity sensor in extract air can be used for demand control.

The unit can be operated in a variety of ways:

- SAVE LIGHT – control panel for basic functions such as airflow control, general alarm and filter change indication.
- SAVE TOUCH – control panel with touch screen and full access to all functions and settings. The home screen displays information such as airflow, temperature, air quality and active functions. You can select between MANUAL and AUTO mode or select preferred settings from the pre-configured user modes and much more.
- SAVE CONNECT – Home solutions for Systemair mobile application and Internet Access Module for wireless control of the SAVE unit. The mobile application mirrors functionality of SAVE TOUCH control panel and allows you to access all control functions on your smartphone.

Each control method is optional and have to be ordered separately as an accessory. 6 meter cable for the control panel is included with the unit.

External connection board that has prewired inputs and outputs allows easy installation and setup of external sensors as well as external heaters / coolers and other accessories.

Electric heater is available as an accessory.

**Warning: the internal heater cannot be used if the unit is installed horizontally.**

**Note: Continuous ventilation through the cooker hood is not allowed.**

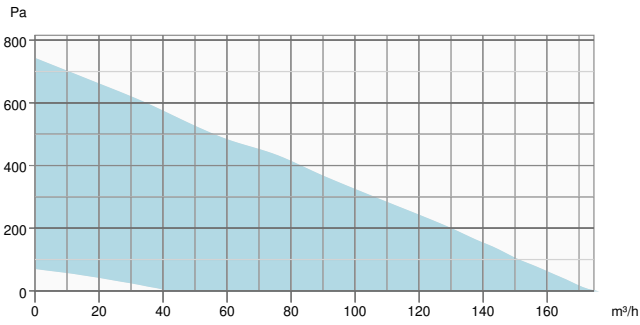


### Tehnilised parameetrid

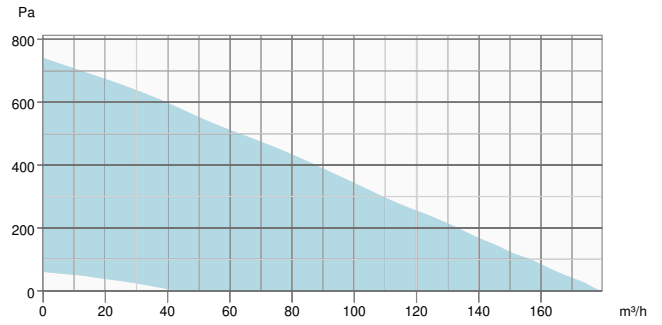
Seade	
Sagedus	50 Hz
Voltage (nominal)	230 V
Phases	1~
Soovitatav kaitse	10 A
Kaitseklass	IP24
Kiiruse reguleerimine	Pidevtoimeline
Toote tüüp	Heat recovery unit
Sisepuhkeventilaator	
Sisendvõimsus (P1) sisepuhkeventilaatorile	35 W
Sisendõhu filter	
Filtri klass, sisepuhkeõhk	ePM1 60%
Väljatõmbeõhu filter	
Filtri klass, väljatõmme	ePM10 50%
Soojusvaheti	
Soojusvaheti rootortüüpi ajam	Muutuva kiirusega
Soojusvaheti	Pöörlevad
Tagastusventilaator / Väljatõmbeventilaator	
Sisendvõimsus, Väljatõmbeventilaator	35 W
Others	
Suurus	100
Ventilaatori reguleerimine	Pidevtoimelise pinge reguleerimine
paigaldamise tüüp	Vertikaalne
Sisepuhke pool	parem; vasak
Korpuse värv	
Korpuse värv	Tsingitud teras
Mõõtmed ja kaal	
Kaal	39 kg
ErP	
Energiaklass, Baasseade	A
Energiaklass, kohalik nõue	A
ErP valmidus	ErP 2016; ErP 2018

# Jõudlused

## Sissepuhe - Tootluse kõver



## Väljavõte - Tootluse kõver



Seade	Sissepuhe	Väljavõte
Vajalik õhuvool	-	-
Töö õhuvool	-	-
Vajalik väline surve	-	-
Töö õhurõhk	-	-
Võimsus	-	-
Ventilaatori juhtimine - RPM	-	-
Soovitatav madal - RPM	-	-
Soovitatav kõrge - RPM	-	-
Ventilaatori juhtimine - %	-	-
Soovitatav madal - %	-	-
Soovitatav kõrge - %	-	-
Air density		1.204 kg/m <sup>3</sup>
SFP		-
Sissepuhke õhu temperatuur		-20.0 °C

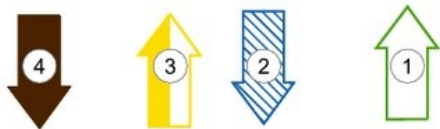
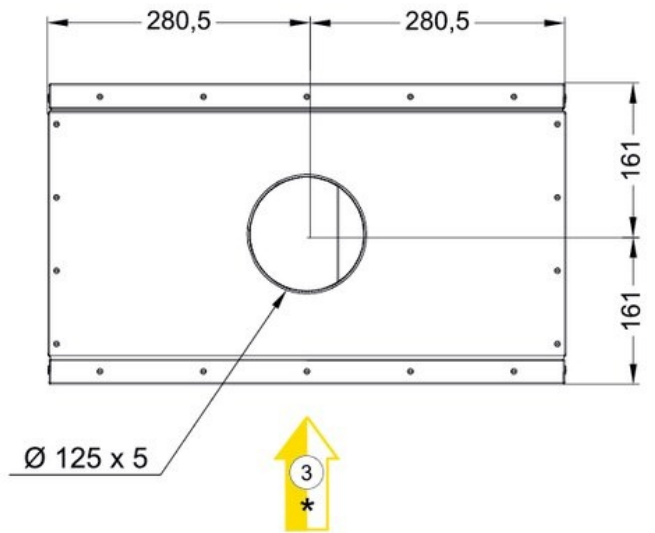
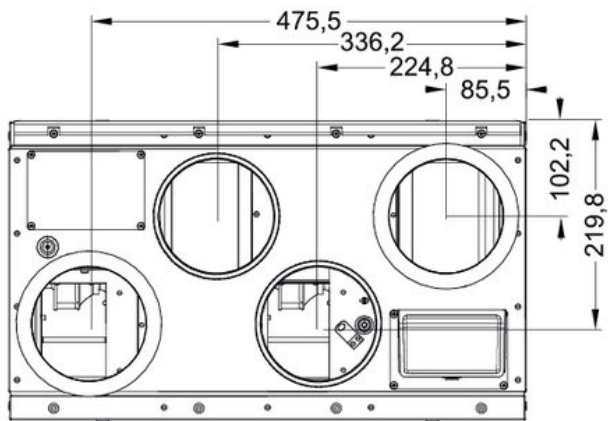
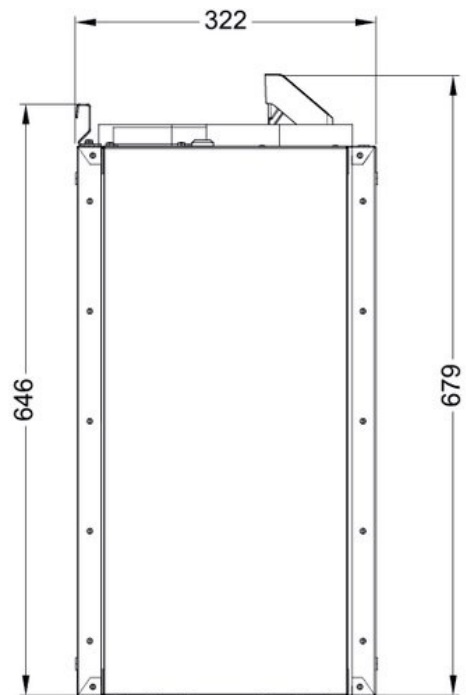
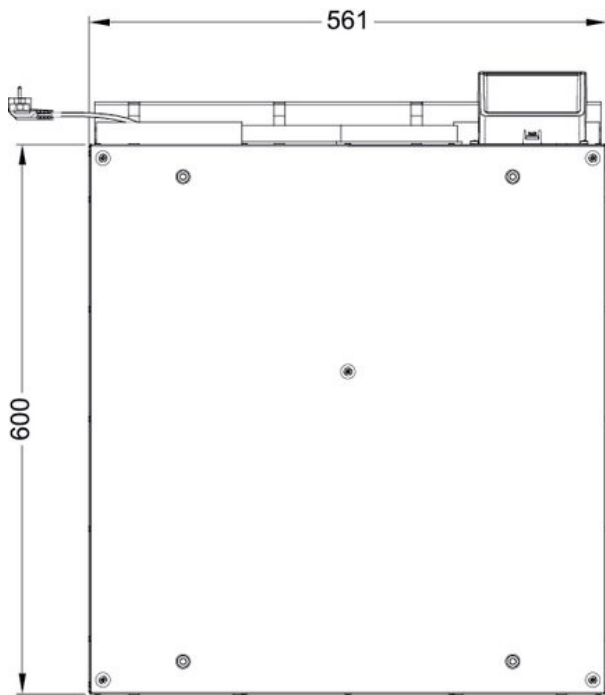
Helirõhu tase	Kokku
---------------	-------

Soojust taastav	Sissepuhe	Väljavõte
Siseneva õhu temperatuur	-	-
Väljaviske õhu temperatuur	-	-
Siseneva õhu niiskus	-	-
Väljamineva õhu niiskus	-	-
Kondensaat	-	-
Ülekantud elekter	-	-
Temperatuuri kasuteguri ühiku (EN 13141-7)	-	-
Temperatuuri kasuteguri komponent (EN 308)	-	-
Niiskus tõhusus	-	-
Vaheti tüüp	-	-

# mõõt

\* Connection for cooker hood

- 1 Outdoor air
- 2 Supply air
- 3 Extract air
- 4 Exhaust air



## Ökodisaini

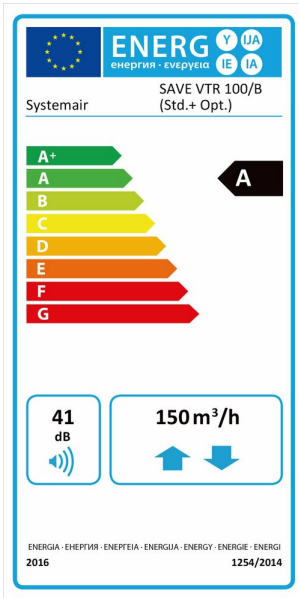
Toode	
Ärinimi	Systemair
Toote nimi	SAVE VTR 100/B
Baasseade	
ErP vastavus	2018
SEC Keskmine	-34.1 kWh/(m <sup>2</sup> .a)
SEC Külm	-77.1 kWh/(m <sup>2</sup> .a)
SEC Soe	-9.5 kWh/(m <sup>2</sup> .a)
SEC Klass	A
Seadme kategooria	RVU
Seadme tüüp	BVU
Ajam	Integreeritud VSD
Soojustagastuse tüüp	Taastav
Temperatuuri suhe	85 %
QV max	150 m <sup>3</sup> /h
P max	88 W
Helivõimsuse tase LWA	41 dB(A)
QV ref	0.029 m <sup>3</sup> /s
PS ref	50 Pa
SPI	0.478 W/(m <sup>3</sup> /h)
CTRL	0.85
VARIA	1.1
x-väärtus	2
Väline leke	3 %
Sisemine leke	Pole saadaval
Carry over	4 %
Toote tüüp	RAHU/AAHE
AEC keskmine	433 kWh
AEC külm	433 kWh
AEC soe	433 kWh
AHS keskmine	4 494 kWh/a
AHS Külm	8 792 kWh/a
AHS soe	2 032 kWh/a

**Seadmed kohaliku vajaduse järgi reguleerimisega**

ErP vastavus	2016/2018
SEC Keskmine	-39.6 kWh/(m <sup>2</sup> .a)
SEC Külm	-83.5 kWh/(m <sup>2</sup> .a)
SEC Soe	-14.4 kWh/(m <sup>2</sup> .a)
SEC Klass	A
Seadme kategooria	RVU
Seadme tüüp	BVU
Ajam	Integreeritud VSD
Soojustagastuse tüüp	Taastav
Temperatuuri suhe	85 %
QV max	150 m <sup>3</sup> /h
P max	88 W
Helivõimsuse tase LWA	41 dB(A)
QV ref	0.029 m <sup>3</sup> /s
PS ref	50 Pa
SPI	0.478 W/(m <sup>3</sup> /h)
CTRL	0.65
VARIA	1.1
x-väärtus	2
Väline leke	3 %
Sisemine leke	Pole saadaval
Carry over	4 %
Toote tüüp	RAHU/AAHE
AEC keskmine	253 kWh
AEC külm	253 kWh
AEC soe	253 kWh
AHS keskmine	4 590 kWh/a
AHS Külm	8 979 kWh/a
AHS soe	2 075 kWh/a

## Energiaklassi silt

### Energiaklass, Baasseade



## Lisatarvikud

- BF VTR 100 OPT kit 2 (153717)
- PF VTR 100 OPT kit 3 (153718)
- SAVE Connect interneti moodul (323606)
- SAVE Light valge (319118)
- SAVE Touch displei valge (138077)
- CO2 kanaliandur SAVE Cair (14906)
- PSS 20 trafo 24V (202692)
- RMK-T (153548)
- SAVE displei seinakinnitus (140736)
- SAVE VTR 100/B järelk.kalorif. (154100)
- SAVECair CO2/RH# (211522)
- VBC 125-3 Veeküttekalorifeer (9839)
- CB 125-1,2 230V/1 kalorifeer (5290)
- CEC kaabel 12m (24782)
- CWK 125-3-2,5 jahutuspatarei (30021)
- Kanaliandur -30-70C (211524)
- LDC 125-900 mürasummuti (5191)
- RS-24V (159484)
- 392-10/B 600 valge (77265)
- Connectduct Ø 125/1,0 M/F (2556)
- CVVX 125 seinaelement, valge (26422)
- MONOLIT - B S.Steel köögikubu (326801)
- Ruumi temp.andur 0-50C (211525)
- SPI 125 C õhu reguleerklapp (6751)
- TUNE-R-125-3-M1 (311938)
- TUNE-R-125-3-M4 (311968)
- TUNE-R-200-3-M1 (311940)
- TUNE-R-200-3-M4 (311970)
- ZTR 15-0,4 3-tee ventiil (9670)
- ZTV 15-0,4 2-tee ventiil (9829)
- PF VTR 100 OPT kit 1 (153716)
- PF VTR 100 STD kit (153715)
- SAVE Light must (319119)
- SAVE Touch displei must (138078)
- Ceiling mounting kit VTR 100/B (155980)
- Presence detector/IR24-P (6995)
- RMK releer sulgklappide ühendamine (153549)
- Rõhuandur/rõhulüliti 20-200Pa (212987)
- SAVE eelkütte ühenduskompl (142852)
- SAVECair CO2 andur (14904)
- SAVECair VAV/CAV komplekt (140777)
- CB 125-0,6 230V/1 kalorifeer (5289)
- CB 125-1,8 230V/1 kalorifeer (5377)
- CEC kaabel 6m (24783)
- FK 125 kinnitusklamber (1608)
- LDC 125-600 mürasummuti (5190)
- Pinnaandur -30-150C (211523)
- VBC 125 veekalorifeer, ümar (5457)
- CLASSIC - B Valge (326802)
- CVVX 125 seinaelement, must (26421)
- Duct Cover White VTR 100/B (153760)
- MONOLIT - B White köögikubu (326800)
- RVAZ4 24A Ventiiliajam 0-10V (9862)
- SPI 200 C õhu reguleerklapp (6754)
- TUNE-R-125-3-M2 (311948)
- TUNE-R-125-3-M5 (311978)
- TUNE-R-200-3-M2 (311950)
- TUNE-R-200-3-M5 (311980)
- ZTR 15-0,6 3-tee ventiil (6573)
- ZTV 15-0,6 2-tee ventiil (6571)