

## SAVE VTR 150/B L 1000W

puldi kaabel 6m

Toote number: 488819

Variant: Pleated Filters Standard kit



Filter kits:

145777 PF STD kit (F7/ePM1 60% supply and M5/ePM10 50% extract)

145920 PF OPT kit 1 (accessory) (F8/ePM1 70% supply and M5/ePM10 50% extract)

153439 BF OPT kit 2 (accessory) (F7/ePM1 60% supply and M5/ePM10 60% extract)

**Main features:**

- High energy-efficiency rotary heat exchanger with EC technology fans
- Demand control regulation with the built-in humidity sensor
- Moisture transfer function to minimize condensation in supply air during wintertime
- Multiple control options to choose from
- Connection board for easy access and connection of accessories
- Modbus communication RS-485 as standard
- Eurovent Certification

SAVE VTR 150/B is adapted for ventilation of smaller houses and apartments with an area of 100 m<sup>2</sup>. Left and right handed models are available. The unit can be installed in a kitchen cupboard or between cupboards and then covered with a custom furniture panel.

A duct from the cooker hood can be connected to a separate bypass duct on the unit, so the air from the cooker hood is led straight to the exhaust fan and not through the heat exchanger in the unit. Systemair offers several cooker hoods for a direct insertion into SAVE VTR 150/B and fast wiring to the connection box. The unit has a Cooker Hood function which can be activated via a cooker hood.

SAVE VTR 150/B has double-skinned fully insulated panels. The unit is equipped with a high efficiency variable speed rotating heat exchanger and a moisture transfer function that regulates the rotation speed of the rotor. Energy efficient fans with EC motors as well as low-pressure filters reduce the energy consumptions and ensures low SFP factor (Specific Fan Power) and sound level. The built-in humidity sensor in extract air can be used for demand control.

The unit can be operated in a variety of ways:

- SAVE LIGHT – control panel for basic functions such as airflow control, general alarm and filter change indication.
- SAVE TOUCH – control panel with touch screen and full access to all functions and settings. The home screen displays information such as airflow, temperature, air quality and active functions. You can select between MANUAL and AUTO mode or select preferred settings from the pre-configured user modes and much more.
- SAVE CONNECT – Home solutions by Systemair mobile application and Internet Access Module for wireless control of the SAVE unit. The mobile application mirrors functionality of SAVE TOUCH control panel and allows you to access all control functions on your smartphone.

Each control method is optional and have to be ordered separately as an accessory. 6 meter cable for the control panel is included with the unit.

The unit comes with built-in electric reheater.

External connection board that has prewired inputs and outputs allows easy installation and setup of external sensors as well as external heaters / coolers and other accessories.

**Note: Continuous ventilation through the cooker hood is not allowed.**

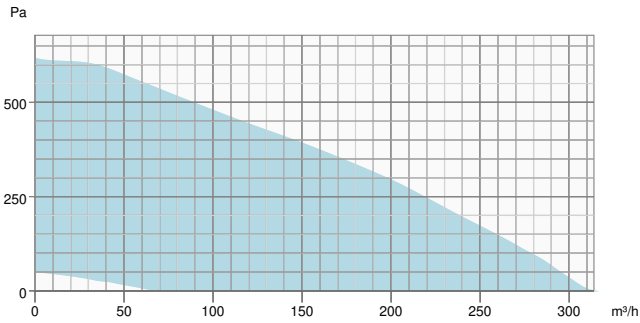
### Tehnilised parameetrid



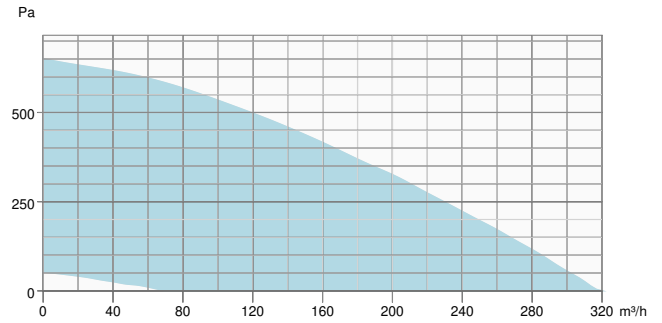
Seade	
Sagedus	50 Hz
Voltage (nominal)	230 V
Phases	1~
Soovitatav kaitse	10 A
Kaitseklass	IP24
Kiiruse reguleerimine	Pidevtoimeline
Toote tüüp	Heat recovery unit
Eelküte/Järelküte	
Sisendvõimsus, järelkütteseade	1 kW
Sissepuhkeventilaator	
Sisendvõimsus (P1) sissepuhkeventilaatorile	83 W
Sisendõhu filter	
Filtri klass, sissepuhkeõhk	ePM1 60%
Väljatõmbeõhu filter	
Filtri klass, väljatõmme	ePM10 50%
Soojusvaheti	
Soojusvaheti rootortüüpi ajam	Muutuva kiirusega
Soojusvaheti	Pöörlevad
Tagastusventilaator / Väljatõmbeventilaator	
Sisendvõimsus, Väljatõmbeventilaator	83 W
Others	
Suurus	150
Ventilaatori reguleerimine	Pidevtoimelise pinge reguleerimine
paigaldamise tüüp	Vertikaalne
Sissepuhke pool	vasak
Korpuse värv	
Korpuse värv	Tsingitud teras
Mõõtmed ja kaal	
Kaal	46 kg
ErP	
Energiaklass, Baasseade	B
Energiaklass, kohalik nõue	A
ErP valmidus	ErP 2018

# Jõudlused

## Sissepuhe - Tootluse kõver



## Väljavõte - Tootluse kõver

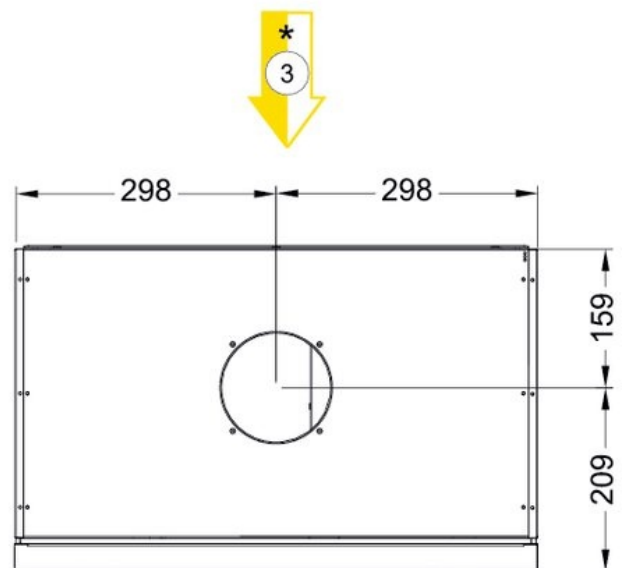
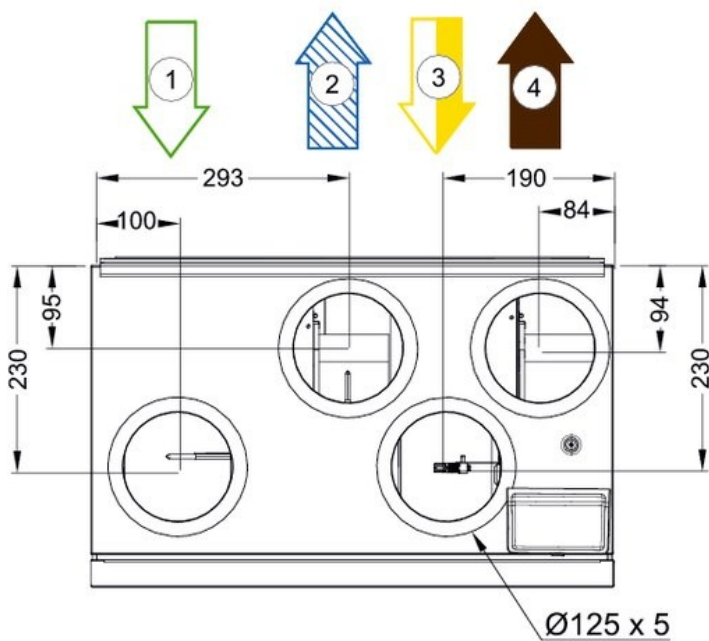
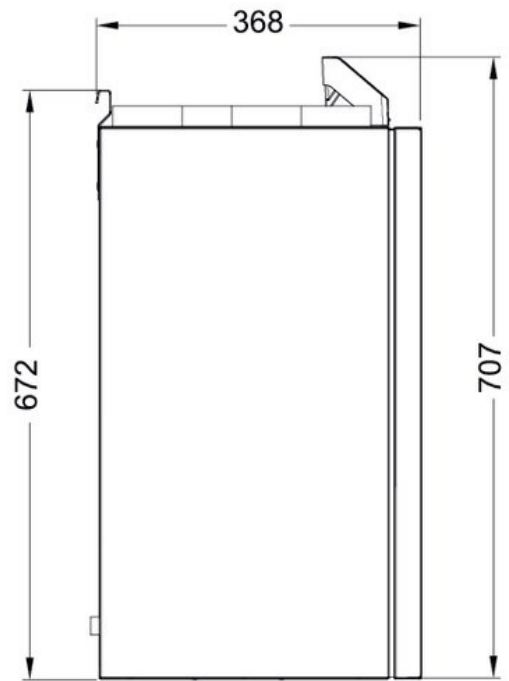
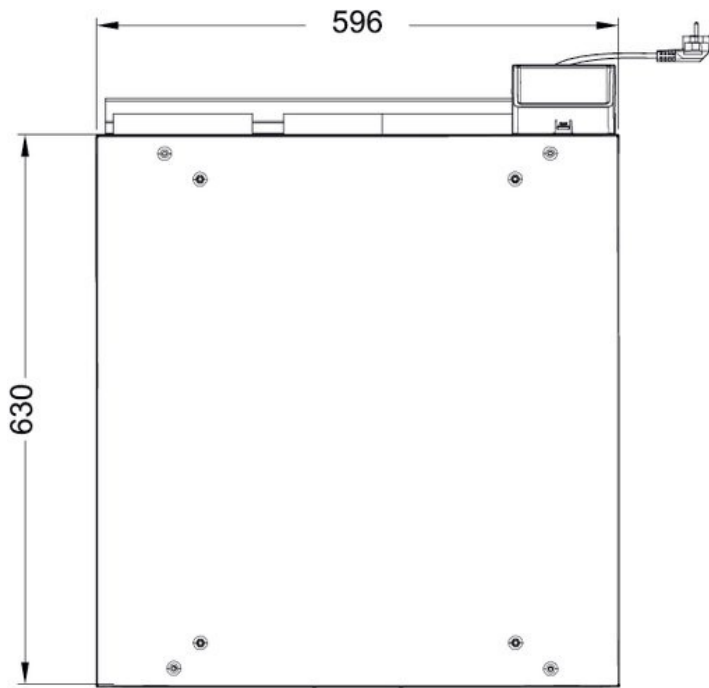


Seade	Sissepuhe	Väljavõte
Vajalik õhuvool	-	-
Töö õhuvool	-	-
Vajalik väline surve	-	-
Töö õhurõhk	-	-
Võimsus	-	-
Ventilaatori juhtimine - RPM	-	-
Soovitatav madal - RPM	-	-
Soovitatav kõrge - RPM	-	-
Ventilaatori juhtimine - %	-	-
Soovitatav madal - %	-	-
Soovitatav kõrge - %	-	-
Air density		1.204 kg/m <sup>3</sup>
SFP		-
Sissepuhke õhu temperatuur		-20.0 °C

Helirõhu tase	Kokku
---------------	-------

Soojust taastav	Sissepuhe	Väljavõte
Siseneva õhu temperatuur	-	-
Väljaviske õhu temperatuur	-	-
Siseneva õhu niiskus	-	-
Väljamineva õhu niiskus	-	-
Kondensaat		-
Ülekantud elekter		-
Temperatuuri kasuteguri ühiku (EN 13141-7)		-
Temperatuuri kasuteguri komponent (EN 308)		-
Niiskus tõhusus		-
Vaheti tüüp		-

## mõõt



\* Connection for cooker hood

- 1 Outdoor air
- 2 Supply air
- 3 Extract air
- 4 Exhaust air

## Ökodisaini

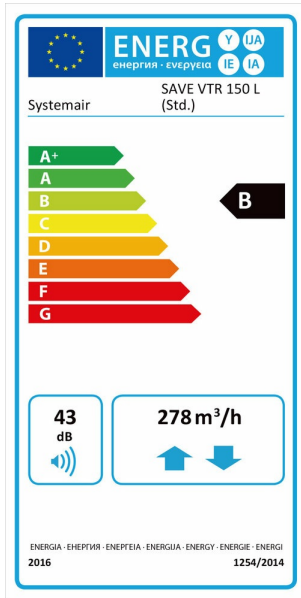
Toode	
Ärinimi	Systemair
Toote nimi	SAVE VTR 150/B L 1000W
Baasseade	
ErP vastavus	2018
SEC Keskmine	-32.7 kWh/(m <sup>2</sup> .a)
SEC Külm	-73.3 kWh/(m <sup>2</sup> .a)
SEC Soe	-9.4 kWh/(m <sup>2</sup> .a)
SEC Klass	B
Seadme kategooria	RVU
Seadme tüüp	BVU
Ajam	Integreeritud VSD
Soojustagastuse tüüp	Taastav
Temperatuuri suhe	76 %
QV max	278 m <sup>3</sup> /h
P max	178 W
Helivõimsuse tase LWA	43 dB(A)
QV ref	0.0542 m <sup>3</sup> /s
PS ref	50 Pa
SPI	0.433 W/(m <sup>3</sup> /h)
CTRL	0.85
VARIA	1.1
x-väärtus	2
Väline leke	3 %
Sisemine leke	Pole saadaval
Carry over	4 %
Toote tüüp	RAHU/AARE
AEC keskmine	392 kWh
AEC külm	392 kWh
AEC soe	392 kWh
AHS keskmine	4 251 kWh/a
AHS Külm	8 315 kWh/a
AHS soe	1 922 kWh/a

**Seadmed kohaliku vajaduse järgi reguleerimisega**

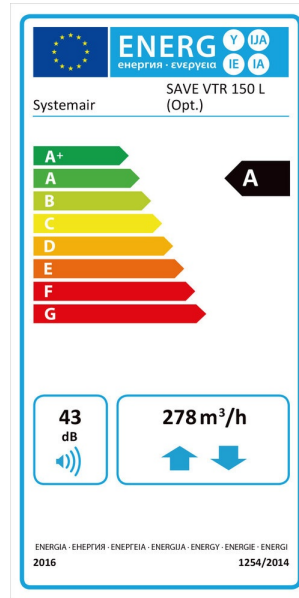
ErP vastavus	2018
SEC Keskmine	-38.3 kWh/(m <sup>2</sup> .a)
SEC Külm	-80.4 kWh/(m <sup>2</sup> .a)
SEC Soe	-14.2 kWh/(m <sup>2</sup> .a)
SEC Klass	A
Seadme kategooria	RVU
Seadme tüüp	BVU
Ajam	Integreeritud VSD
Soojustagastuse tüüp	Taastav
Temperatuuri suhe	76 %
QV max	278 m <sup>3</sup> /h
P max	178 W
Helivõimsuse tase LWA	43 dB(A)
QV ref	0.0542 m <sup>3</sup> /s
PS ref	50 Pa
SPI	0.433 W/(m <sup>3</sup> /h)
CTRL	0.65
VARIA	1.1
x-väärtus	2
Väline leke	3 %
Sisemine leke	Pole saadaval
Carry over	4 %
Toote tüüp	RAHU/AARE
AEC keskmine	229 kWh
AEC külm	229 kWh
AEC soe	229 kWh
AHS keskmine	4 404 kWh/a
AHS Külm	8 614 kWh/a
AHS soe	1 991 kWh/a

## Energiaklassi silt

### Energiaklass, Baasseade



### Energiaklass, kohalik nõue



## Lisatarvikud

- SAVE Connect interneti moodul (323606)
- SAVE Light valge (319118)
- SAVE Touch displei valge (138077)
- SAVE VTR 150 F7/M5 PF STD (145777)
- CO2 kanaliandur SAVE Cair (14906)
- PSS 20 trafo 24V (202692)
- RMK-T (153548)
- SAVE displei seinakinnitus (140736)
- SAVECair CO2 andur (14904)
- SAVECair VAV/CAV komplekt (140777)
- CB 125-0,6 230V/1 kalorifeer (5289)
- CB 125-1,8 230V/1 kalorifeer (5377)
- CEC kaabel 6m (24783)
- FK 125 kinnitusklamber (1608)
- Kanaliandur -30-70C (211524)
- LDC 125-900 mürasummuti (5191)
- SAVE VTR 150/B+392-10B SS esip (317602)
- 392-10/B 600 valge (77265)
- Connectduct Ø 125/1,0 M/F (2556)
- CVVX 125 seinaelement, valge (26422)
- Duct cover W VTR 150/B (319090)
- MONOLIT - B White köögikubu (326800)
- RVAZ4 24A Ventiiiajam 0-10V (9862)
- TUNE-R-125-3-M1 (311938)
- TUNE-R-125-3-M4 (311968)
- ZTR 15-0,4 3-tee ventiil (9670)
- ZTV 15-0,4 2-tee ventiil (9829)
- SAVE Light must (319119)
- SAVE Touch displei must (138078)
- SAVE VTR 150 F7/M5 KF OPT2 (153439)
- SAVE VTR 150 F8/M5 PF OPT1 (145920)
- Presence detector/IR24-P (6995)
- RMK relee sulgklappide ühendam (153549)
- Rõhuandur/rõhulüliti 20-200Pa (212987)
- SAVE eelkütte ühenduskompl (142852)
- SAVECair CO2/RH# (211522)
- VBC 125-3 Veeküttekalorifeer (9839)
- CB 125-1,2 230V/1 kalorifeer (5290)
- CEC kaabel 12m (24782)
- CWK 125-3-2,5 jahutuspatarei (30021)
- Front cover W VTR150B (157226)
- LDC 125-600 mürasummuti (5190)
- Pinnaandur -30-150C (211523)
- VBC 125 veekalorifeer, ümar (5457)
- CLASSIC - B Valge (326802)
- CVVX 125 seinaelement, must (26421)
- Duct cover SS VTR 150 (19567)
- MONOLIT - B S.Steel köögikubu (326801)
- Ruumi temp.andur 0-50C (211525)
- SPI 125 C õhu reguleerklapp (6751)
- TUNE-R-125-3-M2 (311948)
- TUNE-R-125-3-M5 (311978)
- ZTR 15-0,6 3-tee ventiil (6573)
- ZTV 15-0,6 2-tee ventiil (6571)